

8 7 6 5 4 3 2 1

FIRST PRODUCTION SAMPLE MUST BE SUBMITTED TO McCANN'S ENGINEERING & MFG. CO. FOR APPROVAL.

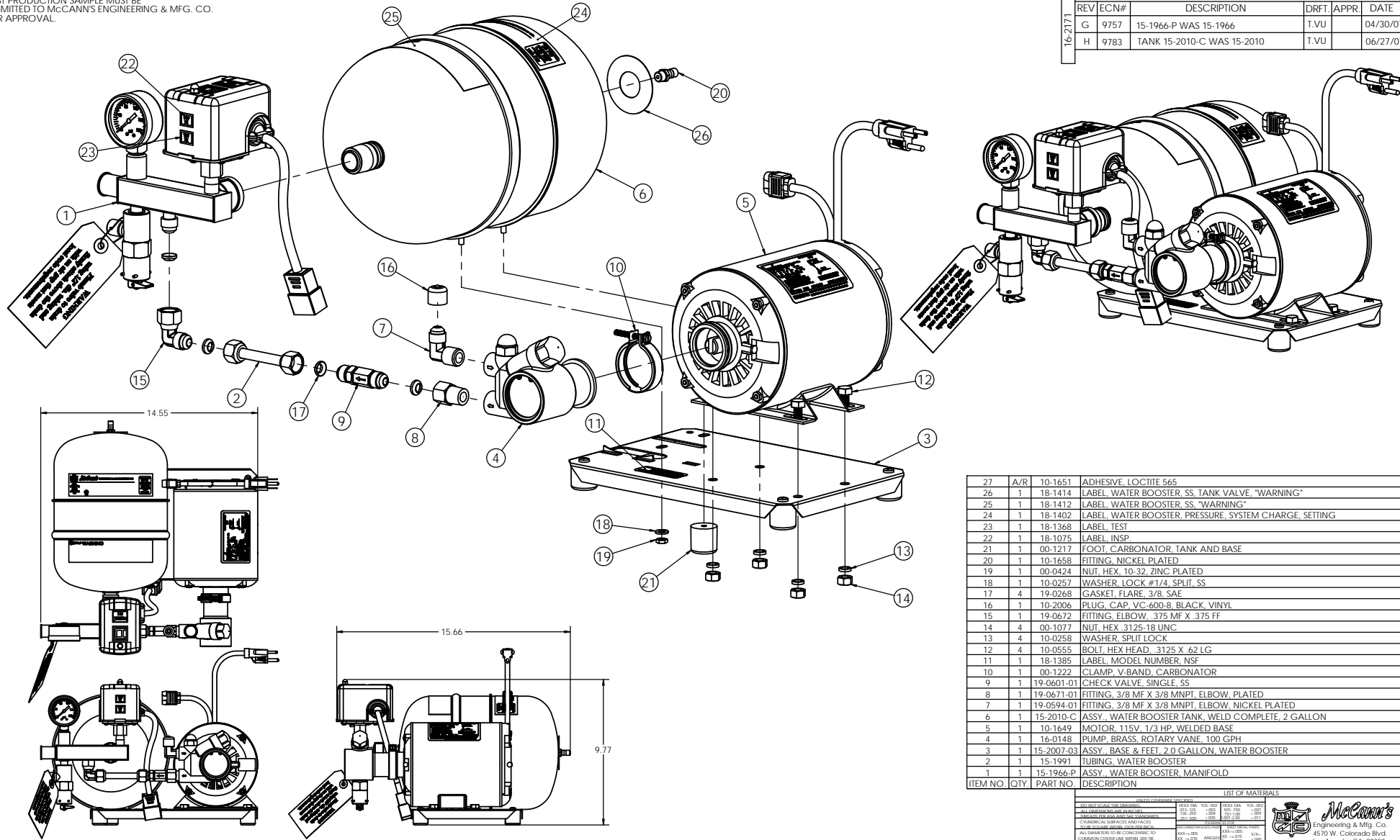
REVISIONS					
REV	ECN#	DESCRIPTION	DRFT	APPR	DATE
G	9757	15-1966-P WAS 15-1966	T.VU		04/30/07
H	9783	TANK 15-2010-C WAS 15-2010	T.VU		06/27/07

D

C

B

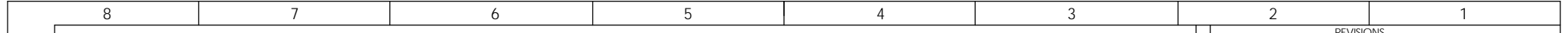
A



ITEM NO.	QTY	PART NO.	DESCRIPTION
27	A/R	10-1651	ADHESIVE, LOCTITE 565
26	1	18-1414	LABEL, WATER BOOSTER, SS, TANK VALVE, "WARNING"
25	1	18-1412	LABEL, WATER BOOSTER, SS, "WARNING"
24	1	18-1402	LABEL, WATER BOOSTER, PRESSURE, SYSTEM CHARGE, SETTING
23	1	18-1368	LABEL TEST
22	1	18-1075	LABEL INSP
21	1	00-1217	FOOT, CARBONATOR, TANK AND BASE
20	1	10-1658	FITTING, NICKEL PLATED
19	1	00-0424	NUT, HEX, 10-32, ZINC PLATED
18	1	10-0257	WASHER, LOCK #1/4, SPLIT, SS
17	4	19-0268	GASKET, FLARE, 3/8, SAE
16	1	10-2006	PLUG, CAP, VC-600-8, BLACK, VINYL
15	1	19-0672	FITTING, ELBOW, .375 MF X 3/8 FF
14	4	00-1077	NUT, HEX, 3125-18 UNC
13	4	10-0258	WASHER, SPLIT LOCK
12	4	10-0555	BOLT, HEX HEAD, .3125 X .62 LG
11	1	18-1385	LABEL, MODEL NUMBER, NSF
10	1	00-1222	CLAMP, V-BAND, CARBONATOR
9	1	19-0601-01	CHECK VALVE, SINGLE, SS
8	1	19-0671-01	FITTING, 3/8 MF X 3/8 MNPT, ELBOW, PLATED
7	1	19-0594-01	FITTING, 3/8 MF X 3/8 MNPT, ELBOW, NICKEL PLATED
6	1	15-2010-C	ASSY, WATER BOOSTER TANK, WELD COMPLETE, 2 GALLON
5	1	10-1649	MOTOR, 115V, 1/3 HP, WELDED BASE
4	1	16-0148	PUMP, BRASS, ROTARY VANE, 100 GPH
3	1	15-2007-03	ASSY, BASE & FEET, 2.0 GALLON, WATER BOOSTER
2	1	15-1991	TUBING, WATER BOOSTER
1	1	15-1966-P	ASSY, WATER BOOSTER, MANIFOLD

3. PRECHARGE TANK (ITEM 6) TO 40 PSI AIR PRIOR TO FINAL ASSEMBLY AND FUNCTIONAL TEST.
 2. LABEL LOCATION IS APPROXIMATELY WHERE SHOWN.
 1. APPLY PIPE SEALANT (ITEM 27) TO THREADS OF ITEMS 7, 8 & 20 PRIOR TO ASSEMBLY.
 NOTES: UNLESS OTHERWISE SPECIFIED.

LIST OF MATERIALS			
ITEM NO.	QTY	PART NO.	DESCRIPTION
<p>McCann's Engineering & Mfg. Co. 4570 W. Colorado Blvd. Los Angeles, CA 90039</p>			
<p>ASSY, WATER BOOSTER, 115V, 2.0 GALLON, SS</p>			
<p>SEE PARTS LIST</p>			
T.VU	04/30/07	D	16-2171
SCALE: NTS		SHEET 1 OF 1	



FIRST PRODUCTION SAMPLE MUST BE SUBMITTED TO McCANN'S ENGINEERING & MFG. CO. FOR APPROVAL.

REVISIONS			DRFT	APPR.	DATE
REV	ECN#	DESCRIPTION			
F	9757	15-1966-P WAS 15-1966	T.VU		04/30/07

D

C

B

A

ITEM NO.	QTY.	PART NO.	DESCRIPTION
25	A/R	10-1651	ADHESIVE, LOCTITE 565
24	4	10-0258	WASHER, SPLIT LOCK
23	4	00-1077	NUT, HEX, 3/16 X 1/8 UNC
22	4	10-0555	BOLT, HEX HEAD, 3/16 X 1/2 LG
21	1	18-1414	LABEL, WATER BOOSTER, SS, TANK VALVE, "WARNING"
20	1	18-1412	LABEL, WATER BOOSTER, SS, "WARNING"
19	1	18-1402	LABEL, WATER BOOSTER, PRESSURE SYSTEM CHARGE, SETTING
18	1	18-1368	LABEL, TEST
17	1	18-1075	LABEL, INSP
16	1	10-1658	FITTING, NICKEL PLATED
15	2	00-0424	NUT, #10-32 UNF
14	2	10-0257	WASHER, LOCK #1/4, SPLIT, SS
13	3	19-0268	GASKET, FLARE, 3/8, SAE
12	1	10-2006	PLUG, CAP, VC-600-8, BLACK, VINYL
11	1	18-1387	LABEL, MODEL NUMBER, NSF
10	1	00-1222	CLAMP, V-BAND, CARBONATOR
9	1	19-0601-01	CHECK VALVE, SINGLE, SS
8	1	19-0671-01	FITTING, 3/8 MF X 3/8 MNPT, ELBOW, PLATED
7	1	19-0594-01	FITTING, 3/8 MF X 3/8 MNPT, ELBOW, NICKEL PLATED
6	1	15-2011	ASSY, WELD, TANK, WATER BOOSTER, 4.4 GALLONS
5	1	10-1649	MOTOR, 115V, 1/3 HP, WELDED BASE
4	1	16-0148	PUMP, BRASS, ROTARY VANE, 100 GPH
3	1	15-1957	ASSY, LARGE BASE, WATER BOOSTER
2	1	15-1965	ASSY, TUBE, LARGE, WATER BOOSTER, 4.4 GALLONS
1	1	15-1966-P	ASSY, WATER BOOSTER, MANIFOLD

3. PRECHARGE TANK (ITEM 6) TO 40 PSI AIR PRIOR TO FINAL ASSEMBLY AND FUNCTIONAL TEST.
 2. LABEL LOCATION IS APPROXIMATELY WHERE SHOWN.
 1. APPLY PIPE SEALANT (ITEM 25) TO THREADS OF ITEMS 7, 8 AND 16 PRIOR TO ASSEMBLY.
 NOTES: UNLESS OTHERWISE SPECIFIED.

MATERIALS		LIST OF MATERIALS	
ITEM	QTY	ITEM	QTY
10-1651	1	10-1651	1
10-0258	4	10-0258	4
00-1077	4	00-1077	4
10-0555	4	10-0555	4
18-1414	1	18-1414	1
18-1412	1	18-1412	1
18-1402	1	18-1402	1
18-1368	1	18-1368	1
18-1075	1	18-1075	1
10-1658	1	10-1658	1
00-0424	2	00-0424	2
10-0257	2	10-0257	2
19-0268	3	19-0268	3
10-2006	1	10-2006	1
18-1387	1	18-1387	1
00-1222	1	00-1222	1
19-0601-01	1	19-0601-01	1
19-0671-01	1	19-0671-01	1
19-0594-01	1	19-0594-01	1
15-2011	1	15-2011	1
10-1649	1	10-1649	1
16-0148	1	16-0148	1
15-1957	1	15-1957	1
15-1965	1	15-1965	1
15-1966-P	1	15-1966-P	1

SEE PARTS LIST

T.VU 04/30/07

SCALE: NTS

16-2173

1 OF 1



ASSY, WATER BOOSTER, 4.4 GALLON, 115V, SS